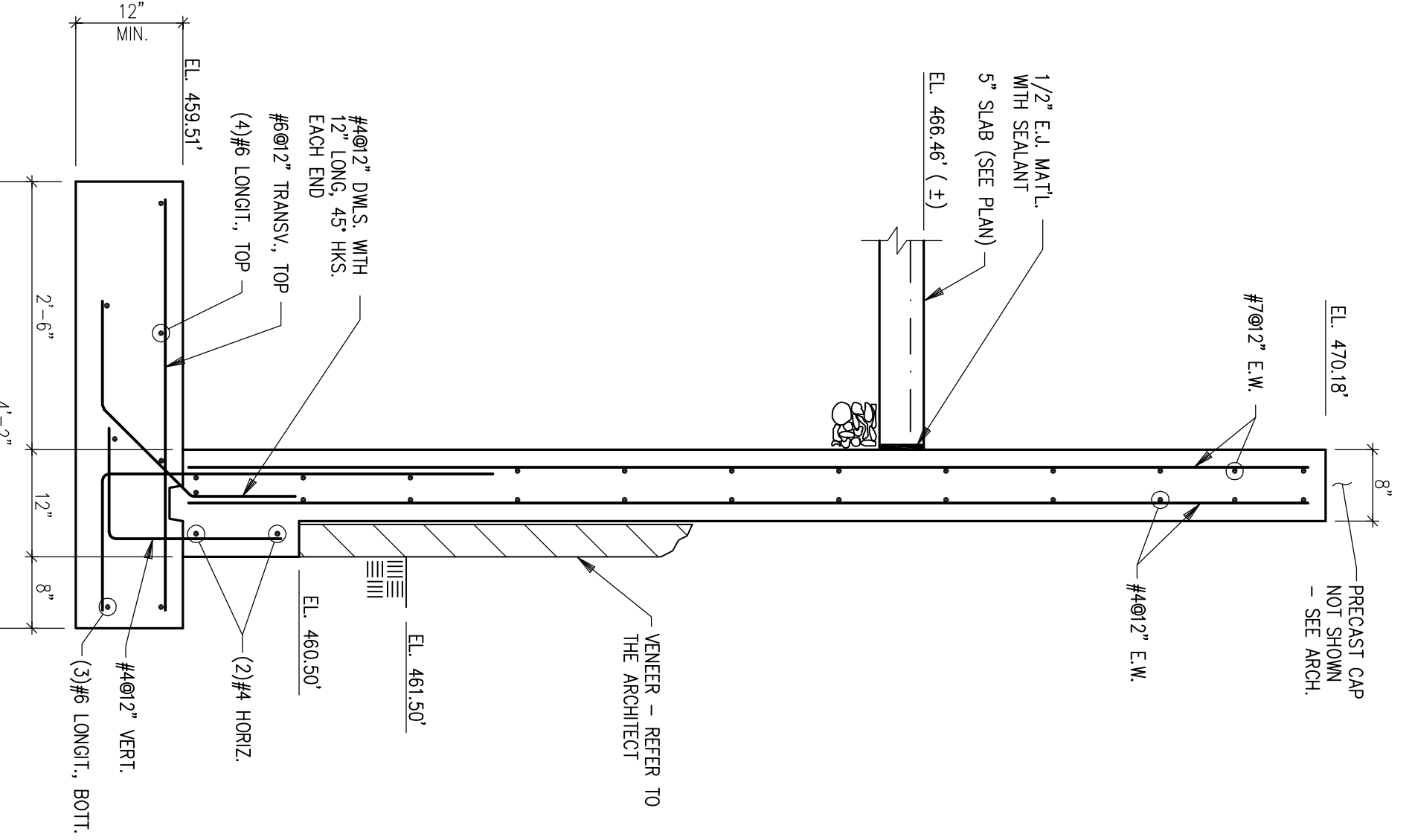
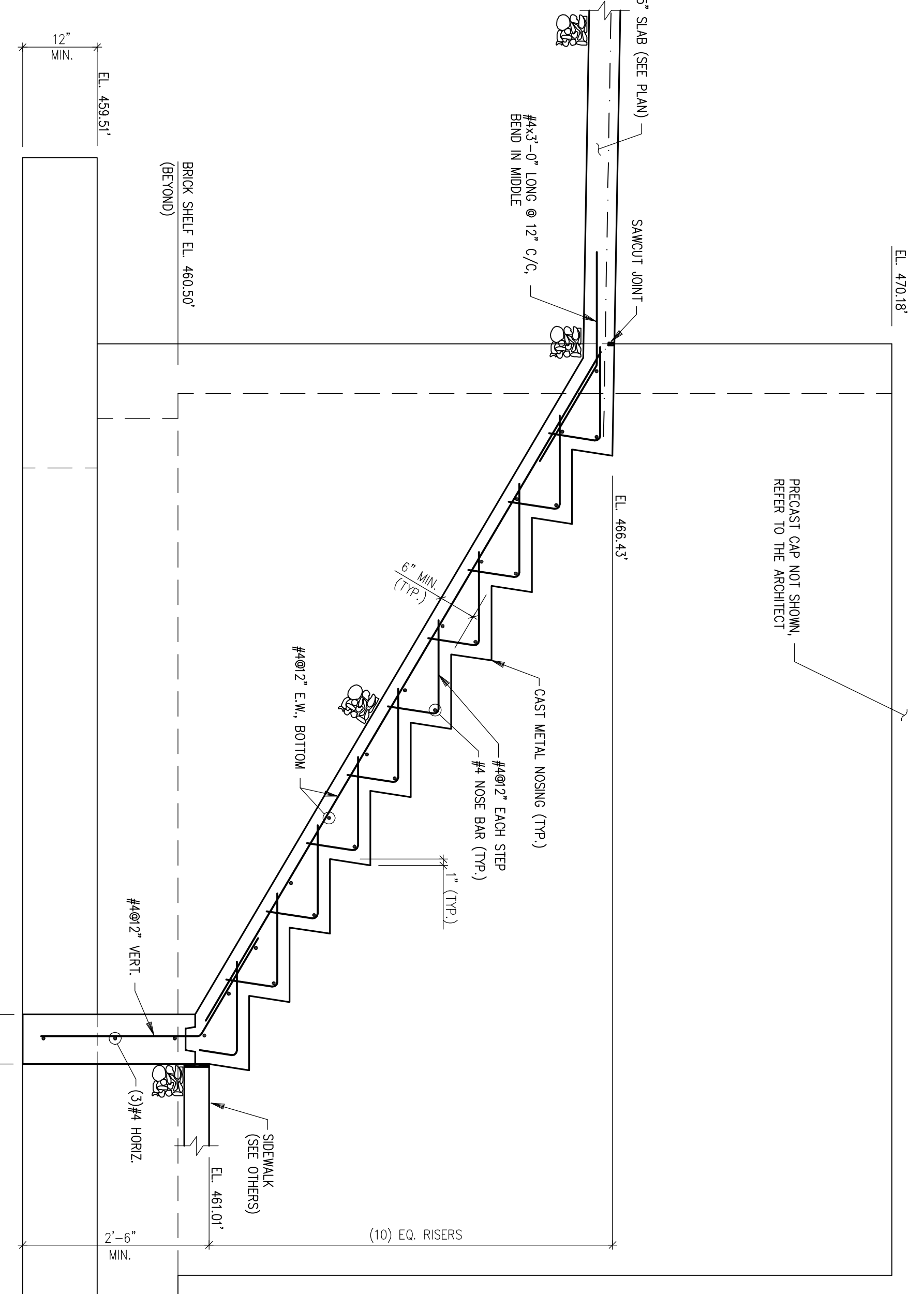
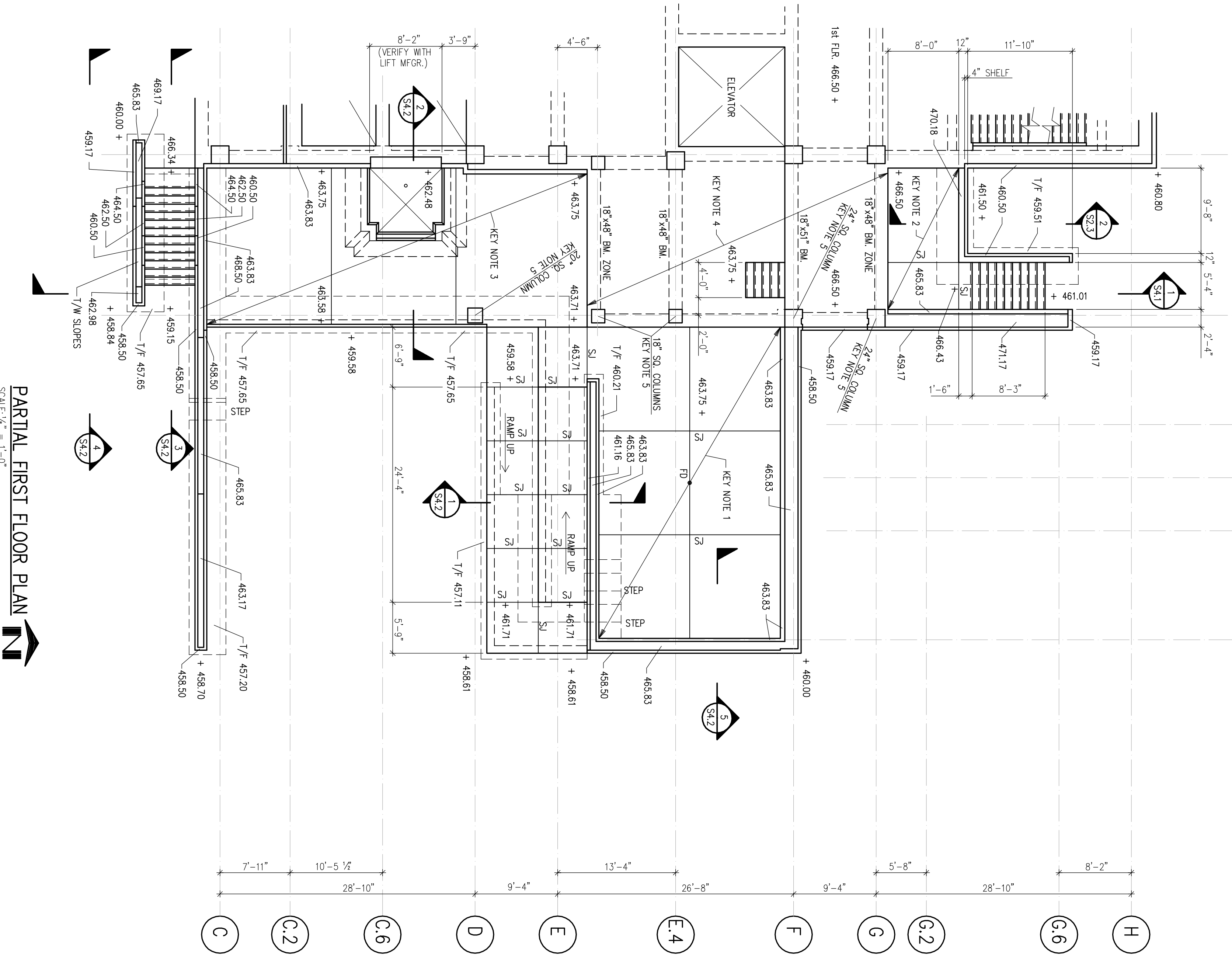


13 14 15 16

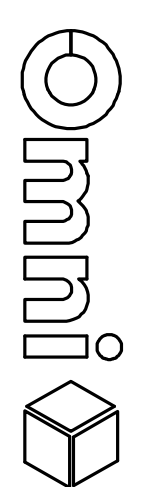
- KEY NOTES:**
- #1 - PROVIDE 6" THICK SLAB ON GROUND WITH #4@2' E.W. MIN. OVER 4" COMPACTED STONE BASE. TOP OF SLAB ELEVATION TO BE APPROXIMATELY 460.00. PROVIDE 1/2" THICK POLYETHYLENE SHEET UNDER SLAB AT 1/2" PER FOOT TO FLOOR DRAIN. PROVIDE SAWN CONTROL JOINTS IN THE APPROXIMATE PATTERN SHOWN.
 - #2 - PROVIDE 5" THICK SLAB ON GROUND WITH W/F #4@2'-0" LOCATED 1.17' DOWN FROM TOP OF SLAB. PROVIDE SAWN CONTROL JOINTS IN THE APPROXIMATE PATTERN SHOWN.
 - #3 - PROVIDE 6" THICK SLAB ON GROUND WITH #4@2' E.W. MIN. OVER 4" COMPACTED STONE BASE. PROVIDE SAWN CONTROL JOINTS IN THE APPROXIMATE PATTERN SHOWN FOR POSITIVE DRAINAGE. PROVIDE SAWN CONTROL JOINTS IN THE APPROXIMATE PATTERN SHOWN. PROVIDE 44x44' GALVANIZED ANCHORED EDGE WITH 1/2" DIA. x 4" LONG HOOKED WELD STUDS AT 12" O/C ALONG ENTIRE DOCK FACE.
 - #4 - PROVIDE 18" THICK STRUCTURAL SLAB (OVER BASEMENT) WITH #4@2' E.W., T. & B. - TOP OF SLAB ELEVATION EITHER 466.50' OR 463.75'. AS SHOWN ON THE PLAN. SLAB OVER BASEMENT SIMILAR TO MAIN STRUCTURE.
 - #5 - COLUMNS SHALL BE CONSTRUCTED TO SUPPORT THE CONCRETE ROOF STRUCTURE ABOVE. TOP OF CONCRETE ROOF SHALL MATCH THE 2ND FLOOR LEVEL OF THE MAIN BUILDING, WHICH IS SET AT 465'-10".



Belknap Research Building • BP1

PARTIAL FIRST FLOOR FOUNDATION/FRAMING PLAN

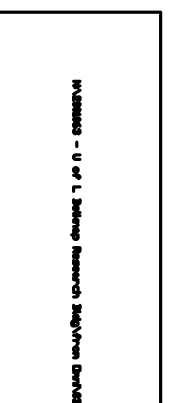
University of Louisville, Louisville, KY



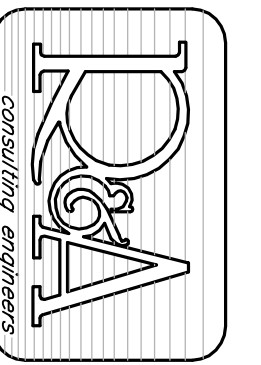
212 North Upper Street
Louisville, KY 40202
www.commidirect.com



1030 Massachusetts Avenue
Cambridge, MA 02139-3388
www.stribling.com



3348 Canal Canyon Road
San Diego, CA 92121
www.sawyer.com



RANGASWAMY AND ASSOCIATES, INC.
304 West Liberty Street
Suite 620, Landmark Building
Louisville, KY 40202
Phone: 502-588-2212
Fax: 502-588-2240

Job Number: 2001063 Date: APR 2003 Drawn By: DEM

Checked By: SAM Revisions: 00/0000

The Drawing and the Design herein are the property of Rangaswamy & Assoc., Inc. The reproduction, copying or other use of this drawing without the written consent of Rangaswamy & Assoc., Inc. is prohibited.

