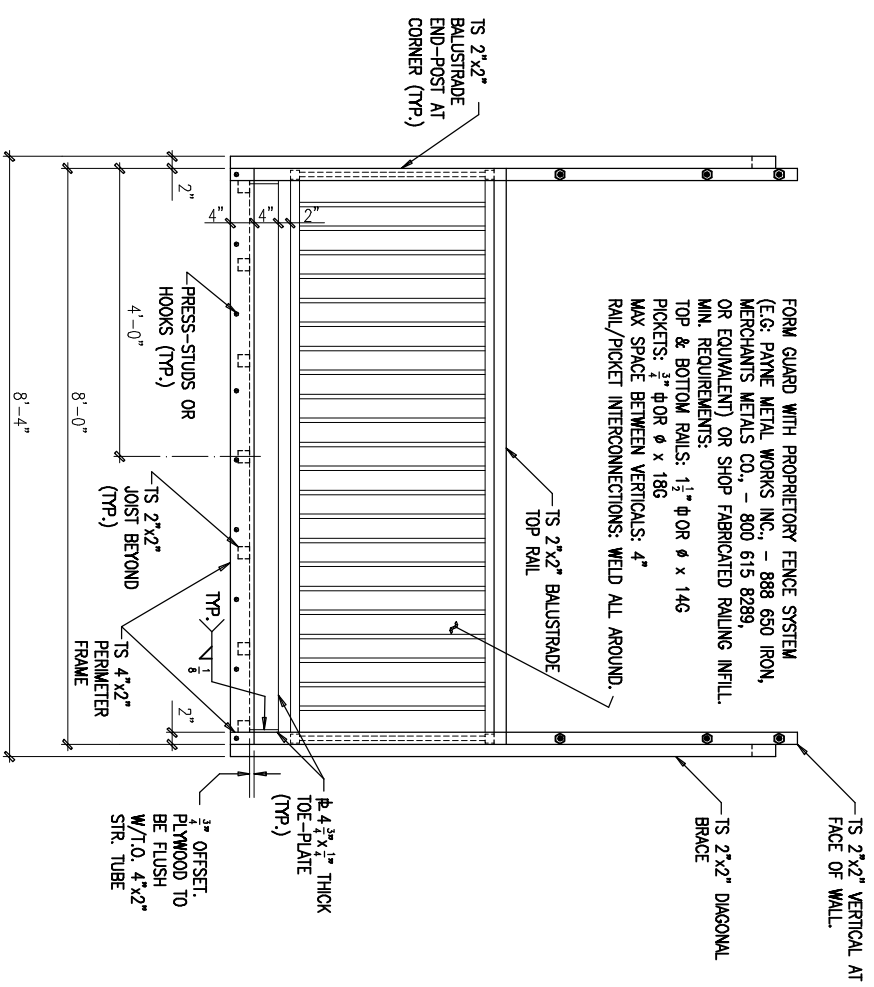
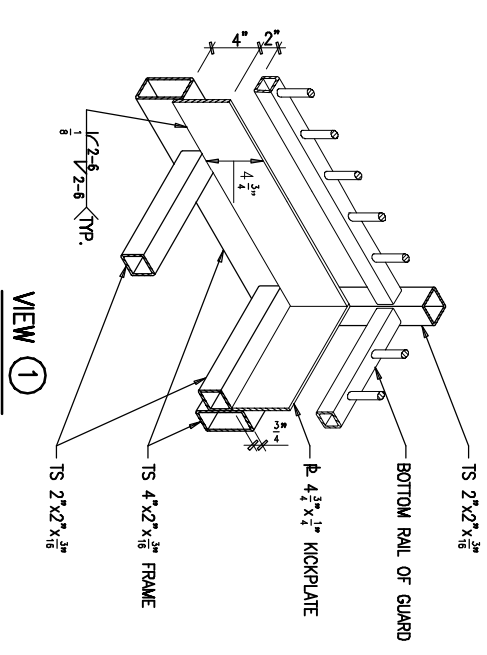


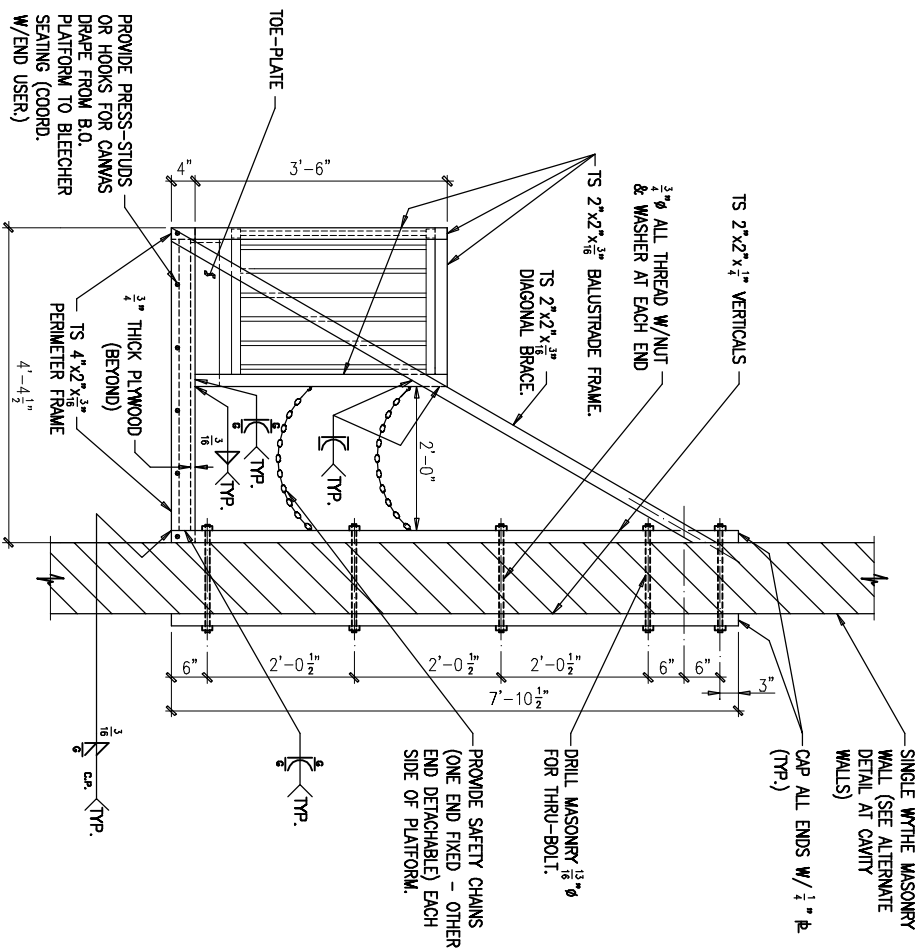
PLAN
SCALE: 3/8"=1'-0"
© 2001 RANGSWAMY & ASSOCIATES, INC.



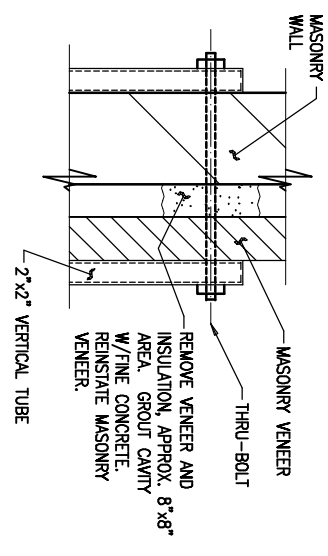
FRONT ELEVATION
SCALE: 3/8"=1'-0"
© 2001 RANGSWAMY & ASSOCIATES, INC.



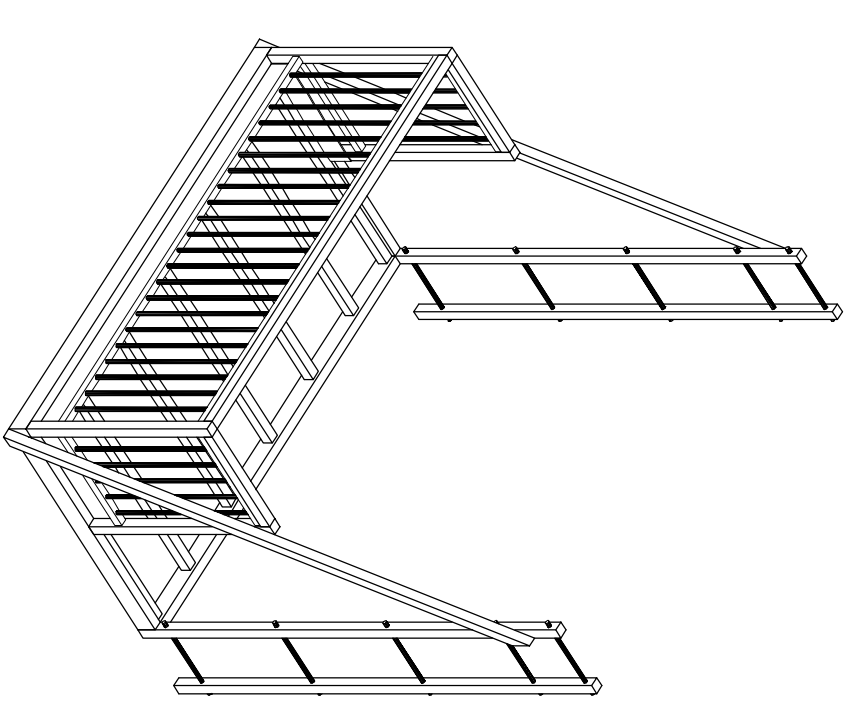
CUT-AWAY ISOMETRIC OF CORNER
SCALE: 1 1/2"=1'-0"
© 2001 RANGSWAMY & ASSOCIATES, INC.



SIDE ELEVATION
SCALE: 3/8"=1'-0"
© 2001 RANGSWAMY & ASSOCIATES, INC.



VARIATION AT CAVITY WALL
SCALE: 1 1/2"=1'-0"
© 2001 RANGSWAMY & ASSOCIATES, INC.



ISOMETRIC VIEW OF VIDEO PLATFORM
NOT TO SCALE
© 2001 RANGSWAMY & ASSOCIATES, INC.

VIDEO PLATFORM DETAILS